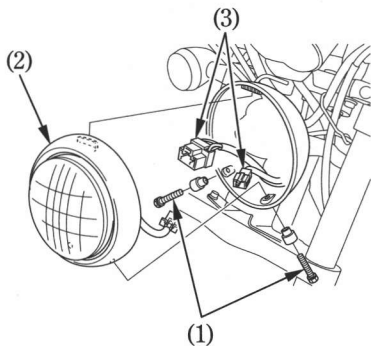


## Headlight/Position Light Bulb

1. Remove the bolts (1) from the headlight case.
2. Gently pull the lower end of the headlight (2) forward and remove the headlight.
3. Disconnect the connectors (3).



(1) Bolts  
(2) Headlight

(3) Connectors