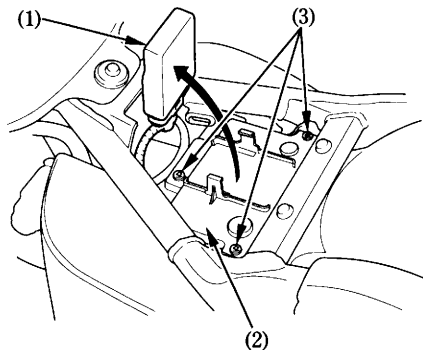


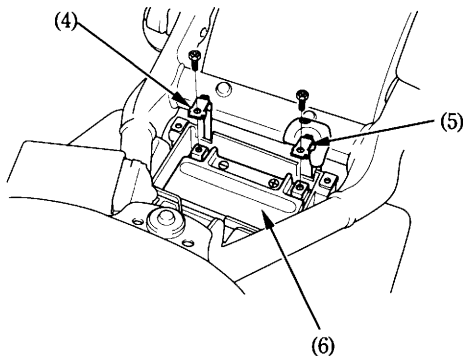
### Battery Removal:

1. Remove the seat (page 36).
2. Remove the ignition control module ( 1 ).
3. Remove the battery cover ( 2 ) by removing the screws ( 3 ).
4. Disconnect the negative ( - ) terminal lead ( 4 ) from the battery first.



- (1) Ignition control module  
(2) Battery cover  
(3) Screws

5. Disconnect the positive ( + ) terminal lead ( 5 ).
6. Pull out the battery ( 6 ) from the battery box.



- (4) Negative ( - ) terminal lead  
(5) Positive ( + ) terminal lead  
(6) Battery