

AIR CLEANER

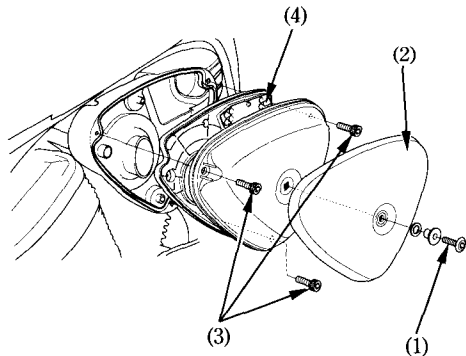
(Refer to the maintenance precautions on page 51).

The air cleaner should be serviced at regular intervals (page 46). Service more frequently when riding in unusually wet or dusty areas.

1. Remove the bolt (1) and the air cleaner housing cover (2).
2. Remove the bolts (3).
3. Take out the air cleaner (4) and discard it.
4. Install the new air cleaner.

Use the Honda genuine air cleaner or an equivalent air cleaner specified for your model. Using the wrong Honda air cleaner or a non-Honda air cleaner which is not of equivalent quality may cause premature engine wear or performance problems.

5. Install the removed parts in the reverse order of removal.



(1) Bolt

(3) Bolts

(2) Air cleaner housing cover

(4) Air cleaner