

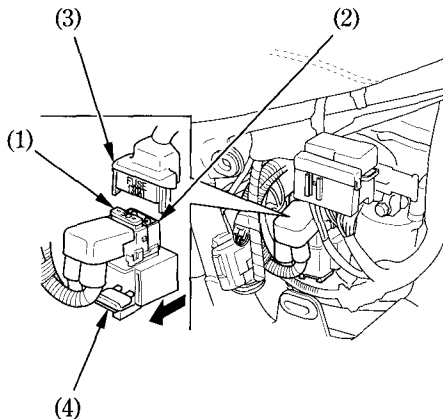
### Main Fuse:

The main fuse (1) is located behind the right side cover.

The specified fuse is:

**30A**

1. Remove the right side cover (page 51 ).
2. Pull out the starter magnetic switch (2) from the frame.
3. Disconnect the wire connector (3) of the starter magnetic switch.
4. Pull out the fuse. If the main fuse is blown, install a new fuse.  
The spare main fuse (4) is located under the starter magnetic switch.
5. Reconnect the wire connector, install the starter magnetic switch and right side cover.



(1) Main fuse

(2) Starter magnetic switch

(3) Wire connector

(4) Spare main fuse