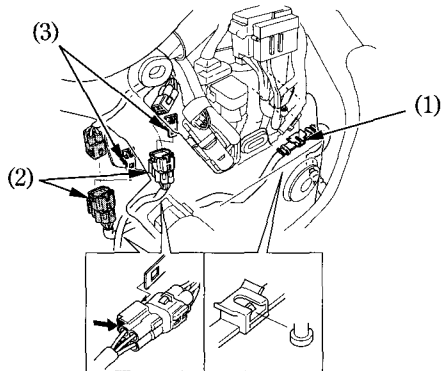


Rear Wheel Removal

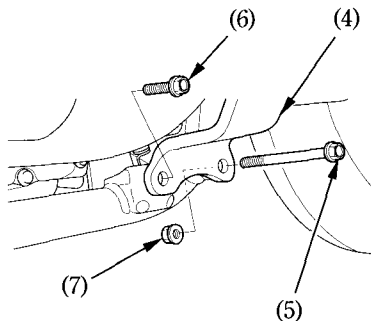
1. Raise the rear wheel off the ground by placing a support block under the engine.
2. Remove the right side cover (page 51).
3. Release the clip (1) and remove the couplers (2) from the stays (3).
4. Disconnect the couplers.



- (1) Clip
(2) Couplers

(3) Stays

5. Remove the right footpeg (4) by removing the footpeg bolt A (5), B (6) and footpeg nut (7).



- (4) Right footpeg
(5) Footpeg bolt A

- (6) Footpeg bolt B
(7) Footpeg nut