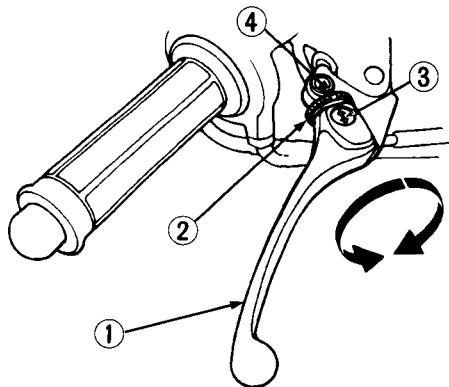


FRONT BRAKE LEVER

The distance between the tip of the brake lever (1) and the grip can be adjusted by turning the adjuster (2).

CAUTION:

* Align the arrow (3) on the brake lever with the index mark (4) on the adjuster.



(1) Brake lever
(2) Adjuster

(3) Arrow
(4) Index mark