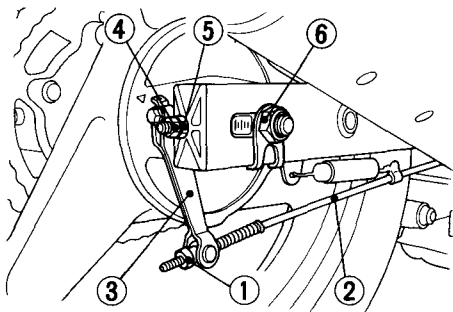


Rear Wheel Removal

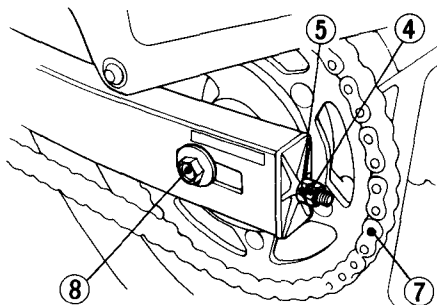
(Refer to the maintenance precautions on page 54).

1. Place the motorcycle on the center stand.
2. Remove the rear brake adjusting nut (1).
Disconnect the brake rod (2) from the brake arm (3).



- | | |
|-------------------------|--------------------------|
| (1) Brake adjusting nut | (4) Lock nuts |
| (2) Brake rod | (5) Chain adjusting nuts |
| (3) Brake arm | (6) Axle nut |

3. Loosen the drive chain adjusting nut lock nuts (4) and adjusting nuts (5).
4. Remove the rear axle nut (6).
5. Remove the drive chain (7) from the driven sprocket by pushing the rear wheel forward.
6. Remove the axle shaft (8), and rear wheel from the swingarm.



- | | |
|-----------------|----------------|
| (7) Drive chain | (8) Axle shaft |
|-----------------|----------------|