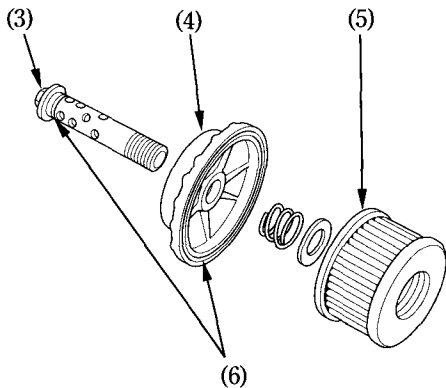


2. Remove the oil filter bolt (3) and oil filter cover (4).
 3. Remove the oil filter (5) from the cover.
 4. Check that the O-rings (6) are in good condition.
 5. Insert the new oil filter.
- Use only the Honda genuine oil filter or a filter of equivalent quality specified for your model. Using the wrong Honda filter or a non-Honda filter which is not of equivalent quality may cause engine damage.

6. Install all parts as shown below. Install the oil filter cover and tighten the oil filter bolt.

Oil Filter Bolt Torque:

18 N·m (1.8 kg-m , 13 lb-ft)



(3) Oil filter bolt
(4) Oil filter cover

(5) Oil filter
(6) O-rings