

Engine Oil and Filter

Engine oil quality is the chief factor affecting engine service life. Change the engine oil as specified in the maintenance schedule (page 49).

Changing the oil filter requires a special oil filter tool and a torque wrench. If you do not have these tools and the necessary skill, we recommend that you have your authorized Honda dealer perform this service. If a torque wrench is not used for this installation, see your authorized Honda dealer as soon as possible to verify proper assembly.

NOTE:

- * Change the engine oil with the engine at normal operating temperature and the motorcycle on its side stand to assure complete and rapid draining.

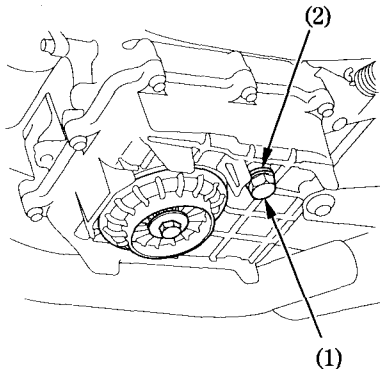
CAUTION:

- * To prevent oil leaks and filter damage, never support the engine on the oil filter.

1. To drain the oil, remove the oil filler cap and oil drain plug (1) and sealing washer (2).

▲WARNING

- * A warmed-up engine and the oil in it are hot; be careful not to burn yourself.



(1) Oil drain plug

(2) Sealing washer