

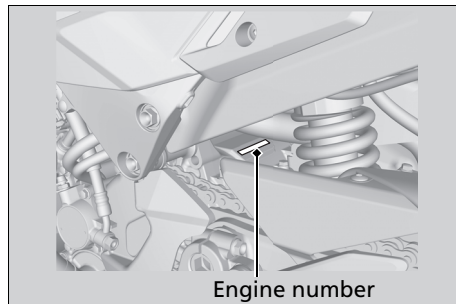
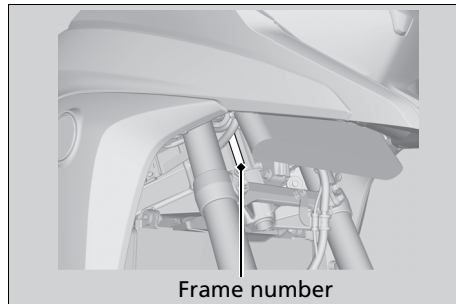
Serial Numbers

Serial Numbers

The frame and engine serial numbers uniquely identify your motorcycle and are required in order to register your motorcycle. They may also be required when ordering replacement parts. The frame number is stamped on the right side of the steering head.

The engine number is stamped on top of the crankcase.

You should record these numbers and keep them in a safe place.



Information