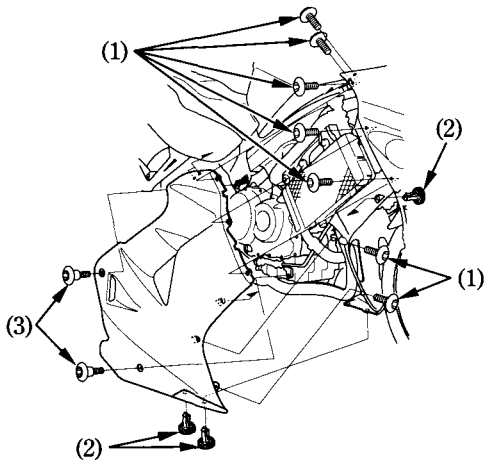


FRONT COWL

Removal:

1. Remove the bolts A (1).
2. Remove the clips (2) (page 52).
3. Remove the bolts B (4).

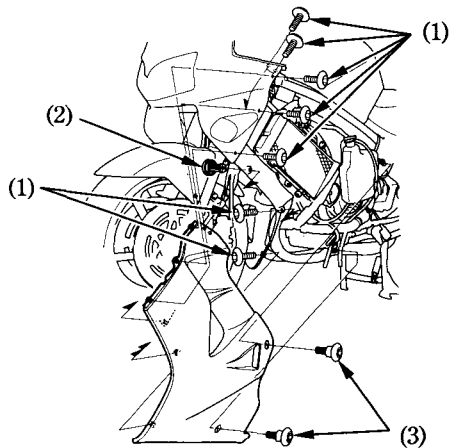


(1) Bolts A

(2) Clips

Installation:

- Installation can be done in the reverse order of removal.



(3) Bolts B