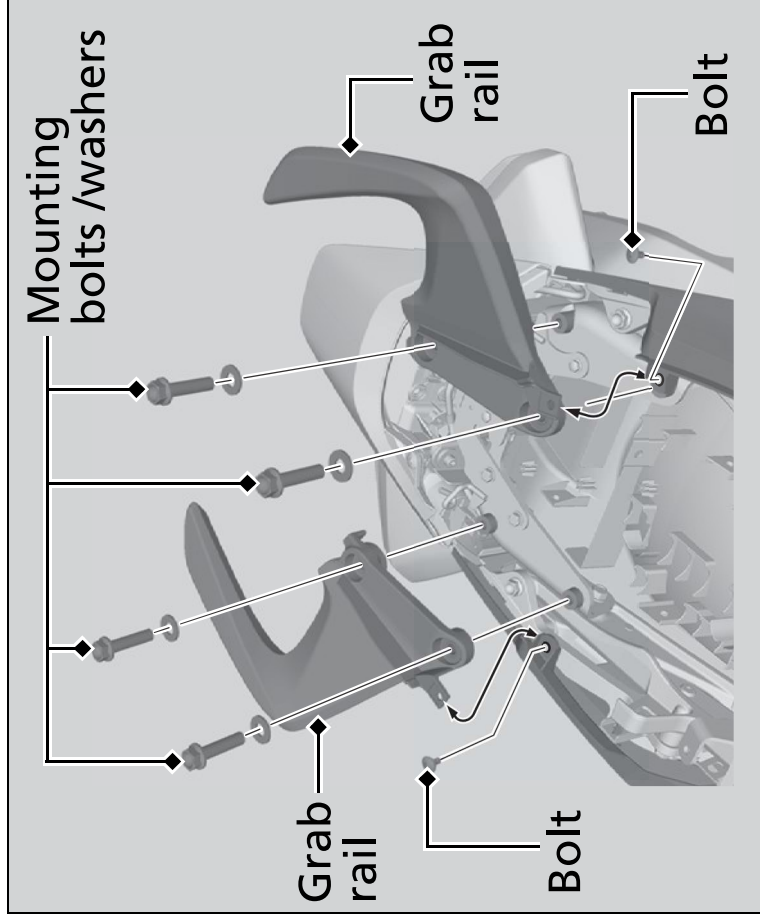


Single Seat Cowl

Installation of Single Seat Cowl

1. Remove the rear seat. **P. 64**
2. Remove the bolts.
3. Remove the grab rail mounting bolts/washers.
4. Remove the grab rails.



5. Install the grab rail covers.
6. Install and tighten the grab rail mounting bolts/washers.

Torque: 27 N·m (2.8 kgf·m, 20 lbf·ft).

7. Install and tighten the bolts securely.

