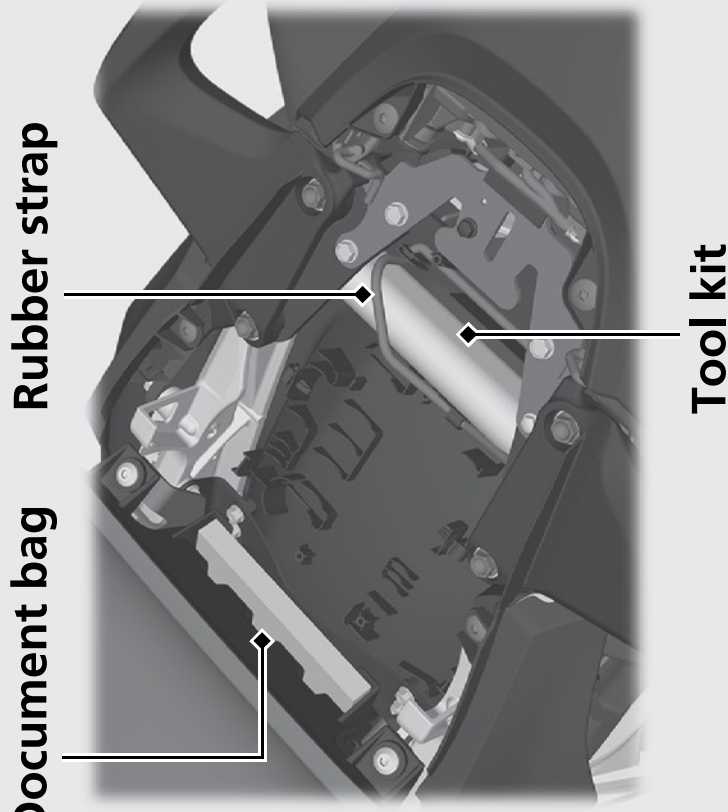


### Tool Kit/Document Bag

The tool kit is located under the rear seat. Secure the tool kit with the rubber strap as shown in the illustration. The document bag is located under the front seat.



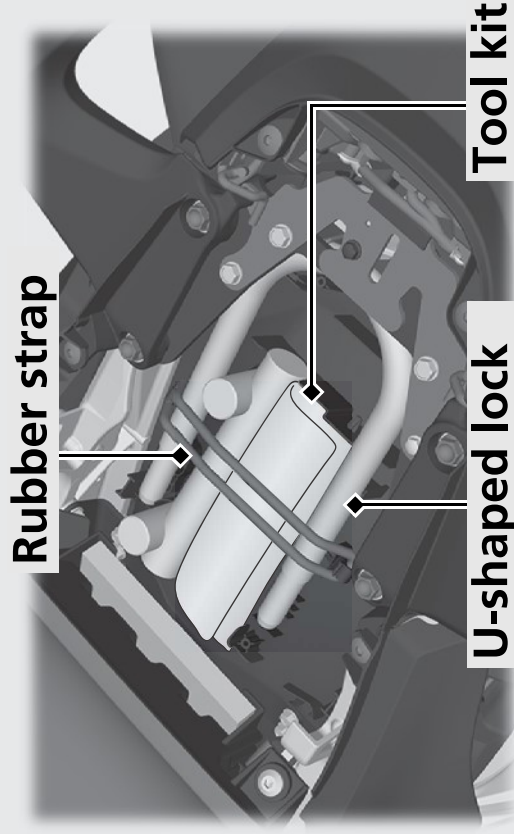
Removing the Rear Seat P.64

### U-shaped Lock

A U-shaped lock is held in place above the rear fender.

When storing the U-shaped lock, first remove the rubber strap that secures the tool kit. Next, place the U-shaped lock and tool kit onto the rear fender as shown in the illustration, and then secure them with the rubber strap.

► Some U-shaped locks may not fit in the compartment due to their size or design.



Removing the Rear Seat P.64