

(VFR-ABS)

The spring preload adjuster knob (1) has 35 spring preload positions (clicks) or more for different load or riding conditions.

To adjust the spring preload, turn the adjuster knob (1).

To reduce (LOW) :

Turn the adjuster counterclockwise toward LOW for a light load and smooth road condition.

To increase (HIGH) :

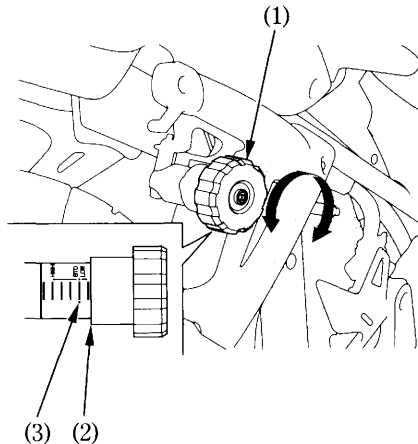
Turn the adjuster clockwise toward HIGH for a firmer ride and rough road condition.

To adjust to the standard position:

1. Turn the spring preload adjuster knob (1) counterclockwise until it will no longer turn (lightly seats).

This is the full LOW setting.

2. Turn the adjuster clockwise by 7 clicks. At that position, the end of the adjuster knob (2) should be aligned with the indicator line (3).



- (1) Adjuster knob
- (2) End of the adjuster knob
- (3) Indicator line