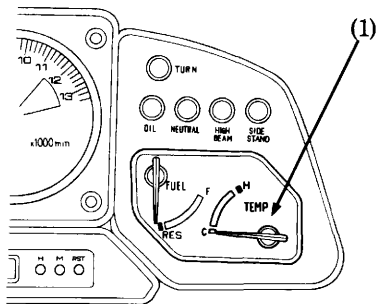


## Coolant Temperature Gauge

When the needle begins to move above the C (Cold) mark, the engine is warm enough for the motorcycle to be ridden. The normal operating temperature range is within the section between the H and C marks. If the needle reaches the H (Hot) mark, stop the engine and check the reserve tank coolant level. Read pages 25 – 26 and do not ride the motorcycle until the problem has been corrected.

## CAUTION:

**\* Exceeding maximum running temperature may cause serious engine damage.**



(1) Coolant temperature gauge