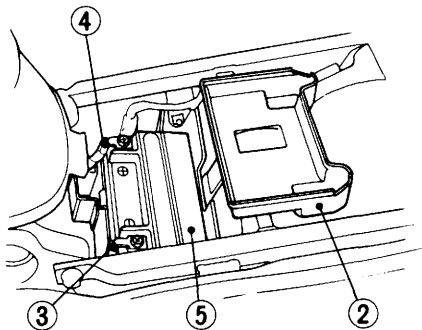


4. Disconnect the negative (-) terminal lead (4) from the battery first, then disconnect the positive (+) terminal lead (5).
5. Pull out the battery from the battery box.



- (2) Battery cover
- (3) Negative (-) terminal lead
- (4) Positive (+) terminal lead
- (5) Battery box