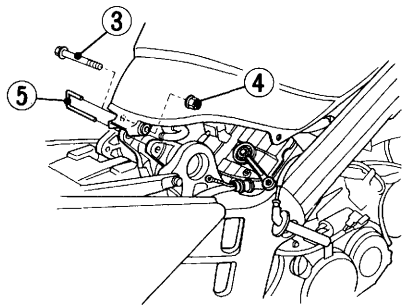


1. Remove the right and left middle fairing to remove the spark plug from the rear cylinder (page 39).
2. Remove the tank stay mounting bolt and nut.
3. Lift the tank slightly and insert the shorter maintenance plug bar into hole in the tank and longer one into the hole in the frame as shown in the drawing.



- (3) Tank stay mounting bolt
(4) Tank stay mounting nut
(5) Maintenance plug bar

4. Remove the spark plug cap (2) from the spark plug, and remove the spark plug using the special plug wrench (1) furnished in the tool kit.
5. To remove the plug from the front cylinder, unscrew the two bolts attaching the bottom of the radiator.
6. Raise the radiator and remove the spark plug with the plug wrench.

