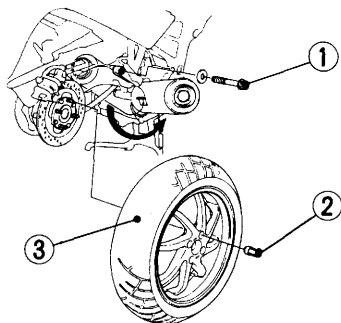


## Rear Wheel Removal

(Refer to the maintenance precautions on page 56).

1. Place the motorcycle on the center stand.
2. Remove the muffler mounting bolt and slide the muffler to a side as shown.
3. Remove the four rear wheel nuts.
4. Remove the rear wheel slowly.



- (1) Muffler mainting bolt    (3) Rear wheel  
(2) Rear wheel nut