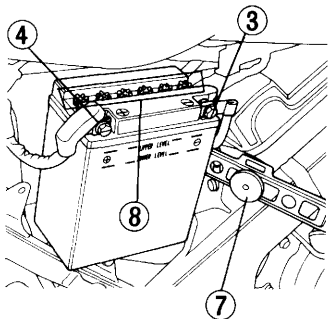


Remove the bolt (6) and battery holder (7). Pull out the battery. Remove the battery filler caps (8). Carefully add distilled water to the UPPER LEVEL mark, using a small syringe or plastic funnel.



- (3) Negative terminal (7) Battery holder
(4) Positive terminal (8) Filler caps

CAUTION:

- * When checking the battery electrolyte level, or adding distilled water, make sure the breather tube is connected to the battery breather outlet.
- * Use only distilled water in the battery. Tap water will shorten the service life of the battery.
- * Filling the battery above the UPPER LEVEL line may cause the electrolyte to overflow, resulting in corrosion to engine or nearby parts. Immediately wash off any spilled electrolyte.
- * The battery breather tube must be routed as shown on the label. Do not bend or twist the breather tube. A bent or kinked breather tube may pressurize the battery and damage its case.