

## BRAKES

Both front and rear brakes are hydraulic disc types.

As the brake pads wear, the brake fluid level drops, automatically compensating for wear.

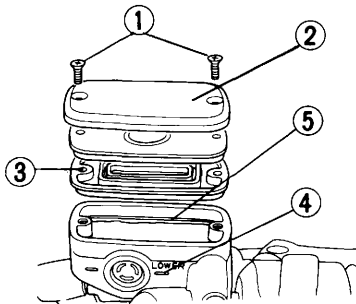
There are no adjustments to perform, but fluid level and pad wear must be inspected periodically. The system must be inspected frequently to ensure there are no fluid leaks. If the control lever or pedal free travel becomes excessive and the brake pads are not worn beyond the recommended limit (page 79), there is probably air in the brake system and it must be bled. See your authorized Honda dealer for this service.

### Front Brake Fluid Level:

#### **▲ WARNING**

- \* **Brake fluid may cause irritation. Avoid contact with skin or eyes. In case of contact, flush thoroughly with water and call a doctor if your eyes were exposed.**

Brake fluid must be added to the reservoir whenever the fluid level begins to reach the LOWER level mark (4). Remove the screws (1), reservoir cover (2), and diaphragm (3). Fill the reservoir with DOT 4 BRAKE FLUID from a sealed container up to the UPPER level mark (5). Reinstall the diaphragm and cover (2). Tighten the screws (1) securely.



(FRONT)

- |                     |                      |
|---------------------|----------------------|
| (1) Screws          | (4) LOWER level mark |
| (2) Reservoir cover | (5) UPPER level mark |
| (3) Diaphragm       |                      |