


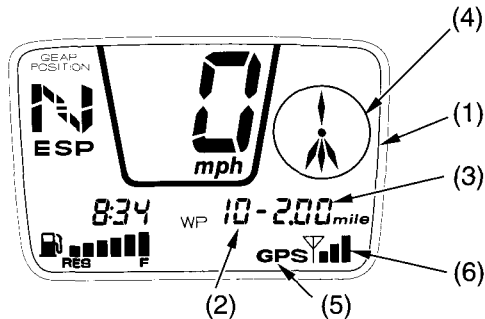
# GPS Mode

## GPS Mode Display

The GPS mode display (1) includes the following functions:

GPS Function	Digital Readout
waypoint number (2)	0 – 99
distance to waypoint (3)	“- - -” (3 digits for miles, and if applicable, tenths and hundredths, with a floating decimal)
direction to waypoint (4)	

The GPS mark (5) appears in the display while the GPS mode is selected. The signal strength indicator (6) appears as long as the GPS signal is active.



(1) GPS mode display

(2) waypoint number

(3) distance to waypoint

(4) direction to waypoint

(5) GPS mark

(6) signal strength indicator