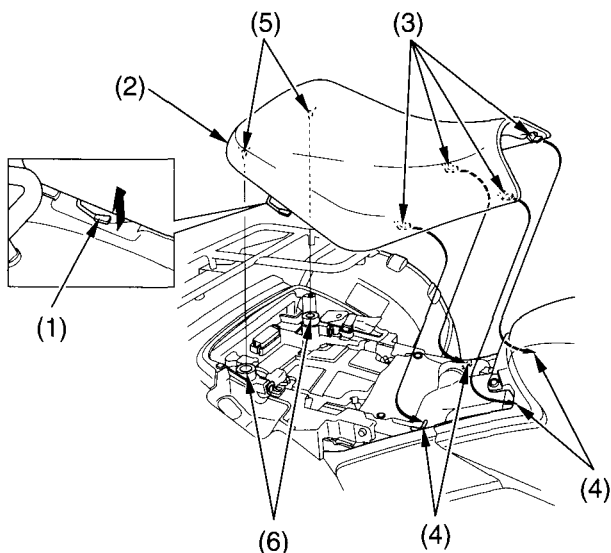


# Seat Removal

---

Refer to *Safety Precautions* on page 91 .

The seat must be removed for the air cleaner, spark plug, battery and fuse maintenance.



(1) seat lock lever

(2) seat

(3) front prongs

(4) hooks

(5) studs

(6) grommets

## Removal

1. Pull the seat lock lever ( 1 ) at the right side of the seat.
2. Slide the seat ( 2 ) back and lift it.

## Installation

1. Insert the front prongs ( 3 ) into the hooks ( 4 ) on the frame and press the studs ( 5 ) into the grommets ( 6 ).
2. Press down on the seat until locks.