

Starting & Stopping the Engine

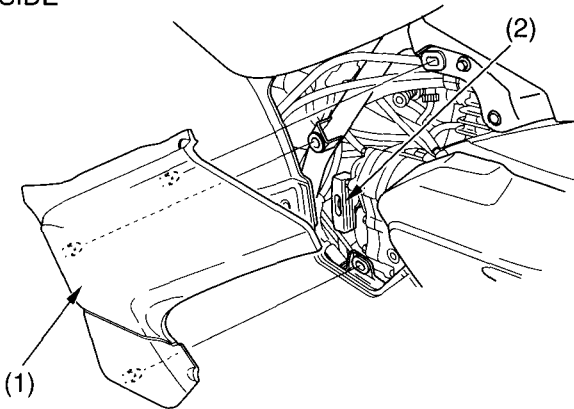
Using the Recoil Starter

The recoil starter is used to start the engine when the battery is low.
To operate the recoil starter:

1. Check that the transmission is in neutral.
2. Unsnap and remove the right side cover (1).
3. Grasp the starter grip (2) firmly, then pull it out slowly approximately 100 mm (4 in).
4. Pull the grip up briskly and fully.
5. After the engine starts, allow the starter grip to return slowly.

If the starter grip does not return smoothly (because of dirt in the assembly), see your Honda dealer.

RIGHT SIDE



(1) right side cover

(2) recoil starter grip