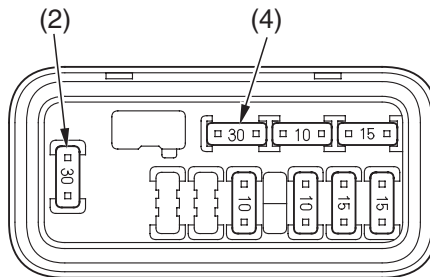
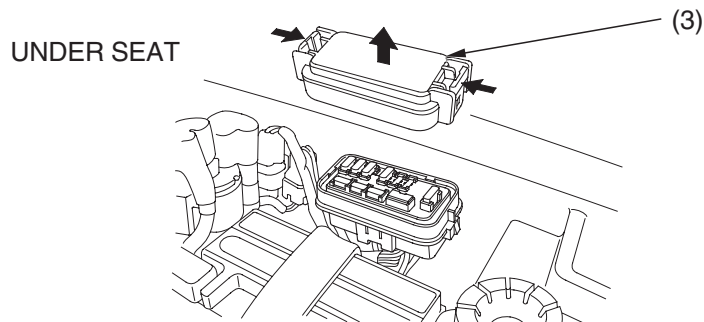




If a Fuse Blows

Main Fuse Access

1. To prevent an accidental short circuit, turn the ignition switch OFF (○) before checking or replacing the fuses.
2. Remove the seat (page 106).
3. To access the main fuse (2), remove the fuse box cover (3).



- (2) main fuse (4) spare main fuse
(3) fuse box cover

4. Pull the main fuse out.
If it is blown, install the spare main fuse (4).

