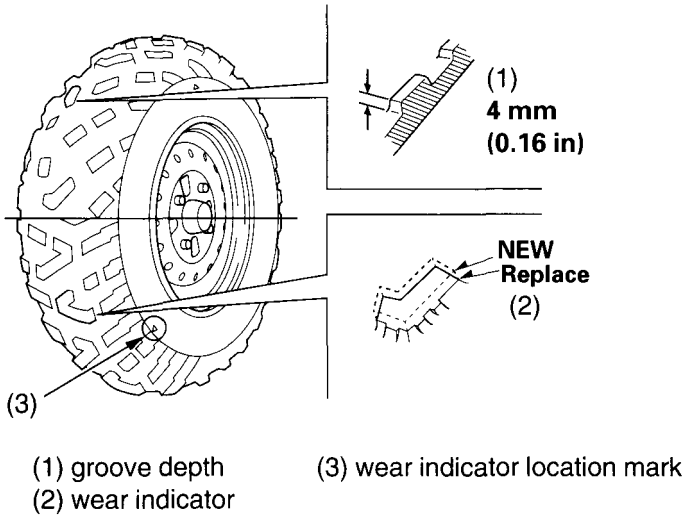


Tyres

Also, if you hit a pothole or other hard object while riding, stop as soon as you safely can and carefully inspect the tyres for damage.

Tread Wear



To check the condition of a tyre tread, measure the groove depth (1) in the centre of the tyre, or check the wear indicator (2).

For best performance, you should replace a tyre before the tread depth at the centre reaches the following limits:

front	4 mm (0.16 in)
rear	4 mm (0.16 in)