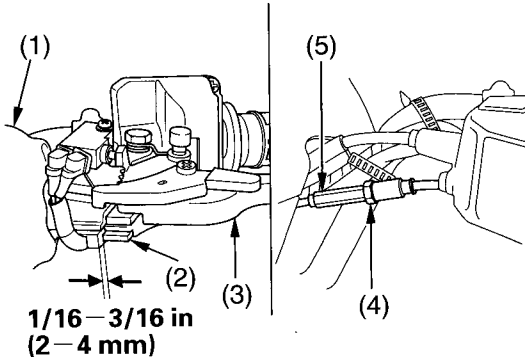


# Clutch System

## Reverse Lock System Adjustment

Refer to *Safety Precautions* on page 95.

### LEFT HANDLEBAR



- |                          |                   |
|--------------------------|-------------------|
| (1) dust cover           | (4) lock nut      |
| (2) reverse assist lever | (5) adjusting nut |
| (3) rear brake lever     |                   |

1. Pull back the dust cover (1).
2. Check the reverse assist lever (2) freeplay, measured at the rear brake lever (3) end near the cable:  
 $1/16 - 3/16$  in (2 - 4 mm)
3. To adjust, loosen the lock nut (4) and turn the adjusting nut (5).  
After adjustment, tighten the lock nut securely.
4. Return the dust cover.

### Other Checks

Check the reverse assist lever and cable for loose connections or other damage. If the cable is worn or kinked, have it replaced by your Honda dealer.