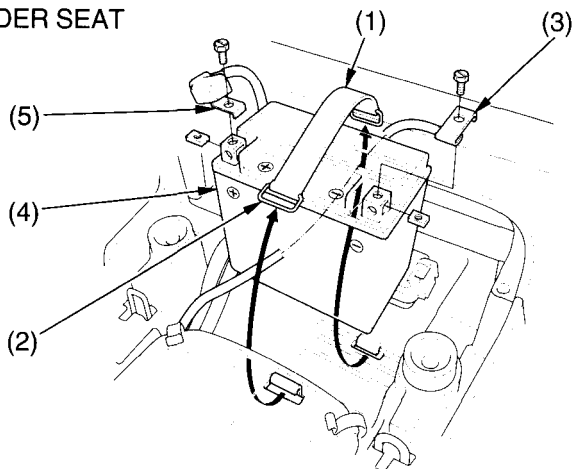


# Battery

---

The battery is located in a compartment under the seat.

## UNDER SEAT



(1) rubber band

(2) ring

(3) negative ( - ) terminal lead

(4) battery

(5) positive ( + ) terminal lead

## Removal

1. Make sure the ignition switch is OFF ( O ).
2. Remove the seat (page I 12).
3. Remove the rubber band ( 1 ) by releasing the ring ( 2 ).
4. Disconnect the negative ( - ) terminal lead ( 3 ) from the battery ( 4 ) first, then disconnect the positive ( + ) terminal lead ( 5 ).
5. Remove the battery.