

### Dust cover

Do not push the dust cover (1) (Fig. 4-7) into the breather joint (2).  
If the dust cover is dirty, clean it.

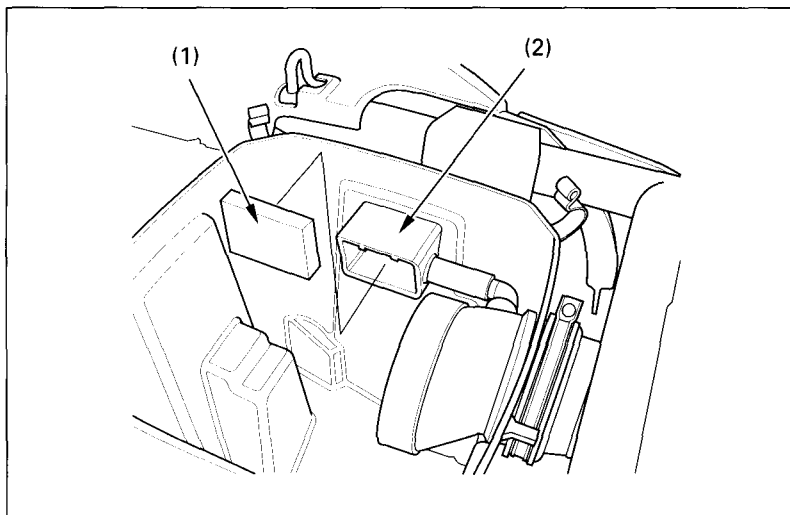


Fig. 4-7

(1) Dust cover  
(2) Breather joint