

3. Loosen the screw (4) (Fig. 4-6) and remove the air cleaner assembly (5) from the air cleaner housing.
4. Remove the clamp (6) from air cleaner.
5. Remove the air cleaner (7) from the air cleaner body (8).
6. Remove the sub air cleaner (9) from the air cleaner joint (10).

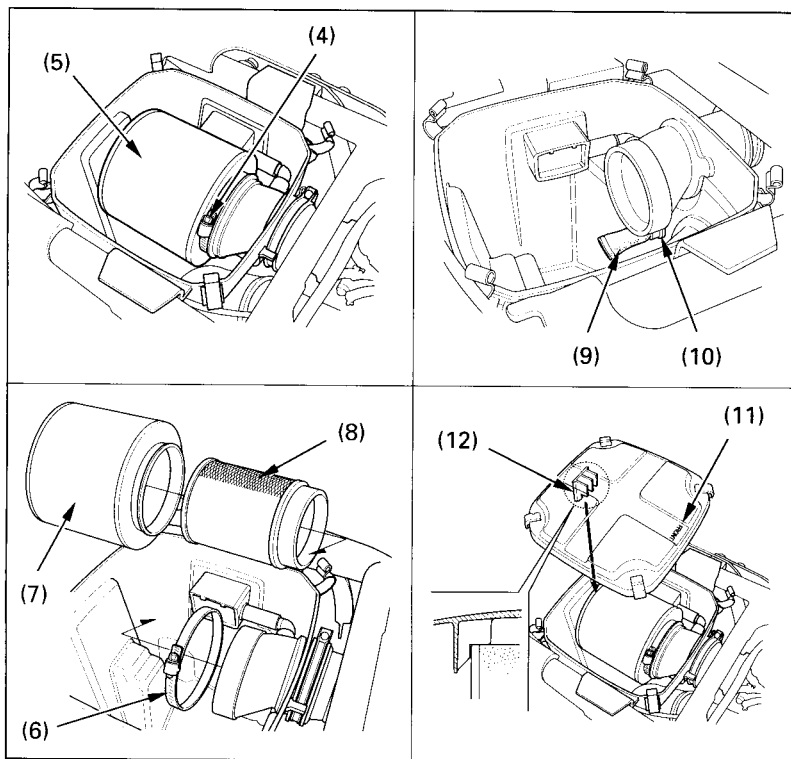


Fig. 4-6

- (4) Screw
- (5) Air cleaner assembly
- (6) Clamp
- (7) Air cleaner
- (8) Air cleaner body

- (9) Sub air cleaner
- (10) Air cleaner joint
- (11) FRONT mark
- (12) Tab