

2. Remove the seat (page 140).
3. Remove the main fuse box.
4. Replace the old fuse.
5. Reinstall the fuse box.
6. Install the seat.

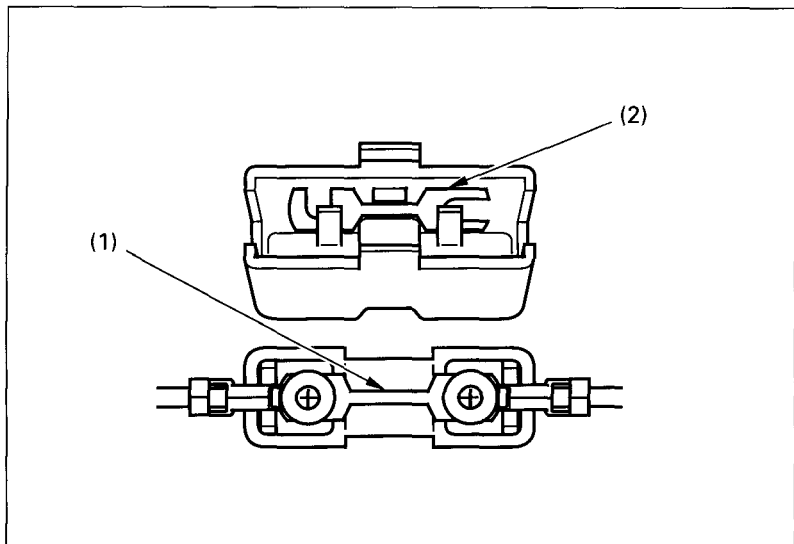


Fig. 4-21 (1) Main fuse

(2) Spare fuse

To replace the sub fuses:

1. Make sure the ignition switch is  $\bigcirc$  (OFF).

**CAUTION:**

**Turn the ignition switch  $\bigcirc$  (OFF) before checking or replacing the fuse to prevent accidental short-circuiting which could damage the electrical system.**