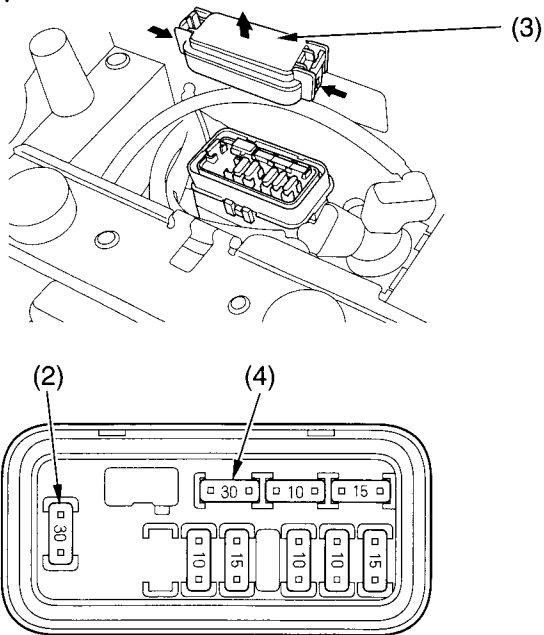


If a Fuse Blows

Main Fuse Access

1. To prevent an accidental short circuit, turn the ignition switch OFF (○) before checking or replacing the fuses.
2. Remove the seat (page 98).
3. Remove the fuse box cover (3).
4. Pull the old fuse out of the clips.
5. Push a new fuse into the clips and install the fuse box cover.
6. Install the seat.

UNDER SEAT



(2) main fuse
(3) fuse box cover

(4) spare main fuse