

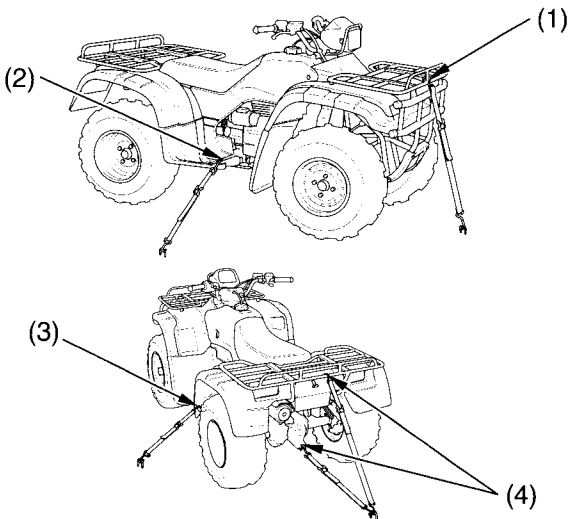
Transporting Your Honda

Do not tow your ATV behind a car or other vehicle.

When you transport your ATV, we recommend that you carry the vehicle in its normal operating position (on all four wheels) and follow these procedures:

1. Set the parking brake and place the transmission in gear.
2. Turn the fuel valve OFF.
3. Secure the vehicle with “tie-down straps” in the areas shown.
Suitable “tie-down straps” are available from your Honda dealer.
Ordinary rope is not recommended because it can stretch under load.

Using tie-down straps in any other areas can damage your ATV.



- (1) front cargo rack
- (2) right footpeg
- (3) left footpeg

- (4) rear cargo rack or trailer hitch