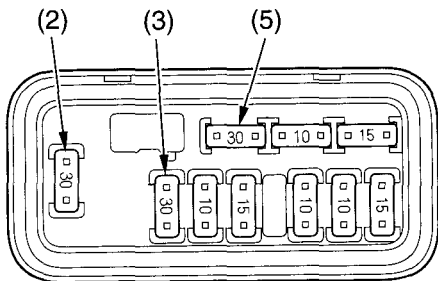
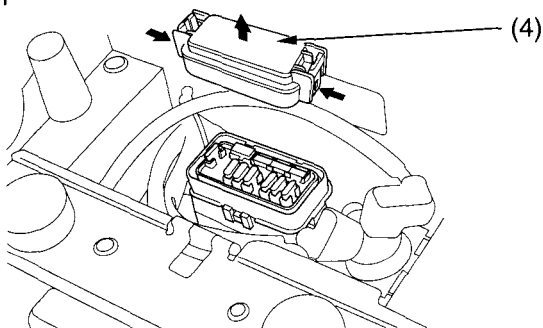


If a Fuse Blows

Main Fuse Access

1. To prevent an accidental short circuit, turn the ignition switch OFF (○) before checking or replacing the fuses.
2. Remove the seat (page 100).
3. To access the main fuse (2) (3), remove the fuse box cover (4).

UNDER SEAT



(2) main fuse
(3) main fuse
(control motor fuse)

(4) fuse box cover
(5) spare main fuse

4. Pull the main fuse out.
If it is blown (1), install the spare main fuse (5).