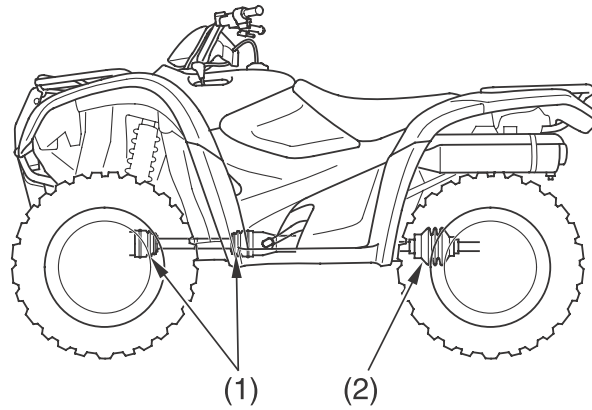




## Drivetrain Boots

### Propeller Shaft Boots & Yoke Joint Boot

Refer to *Safety Precautions* on page 89 .



- (1) rubber propeller shaft boots (Except TRX420TM)
- (2) rubber yoke joint boot

Check the rubber propeller shaft boots (1) and rubber yoke joint boot (2) for damage or leaking grease. If necessary, have your dealer replace them.

