



Differential Oil (Except TRX420TM)

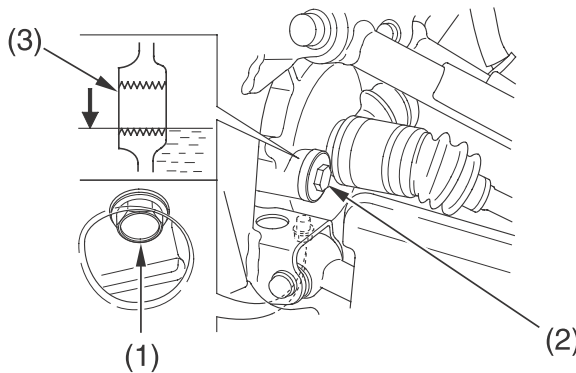
1. Park your ATV on a firm, level surface.
2. Place an oil drain pan under the oil drain bolt (1).
3. Remove the oil fill cap (2) and the drain bolt.
4. After the oil has completely drained, reinstall the drain bolt with the new sealing washer and tighten it to the specified torque:
9 lbf·ft (12 N·m , 1.2 kgf·m)
5. Pour the drained oil into a suitable container and dispose of it in an approved manner (page 184).

NOTICE

Improper disposal of drained fluids is harmful to the environment.

6. Fill the differential with the recommended oil.
7.8 US oz (230 cm³)
Make sure the oil level is at the lower edge of the oil fill inspection hole (3).
7. Install the oil fill cap and tighten it to the specified torque:
9 lbf·ft (12 N·m , 1.2 kgf·m)

FRONT



(1) oil drain bolt
(2) oil fill cap

(3) oil fill inspection hole

