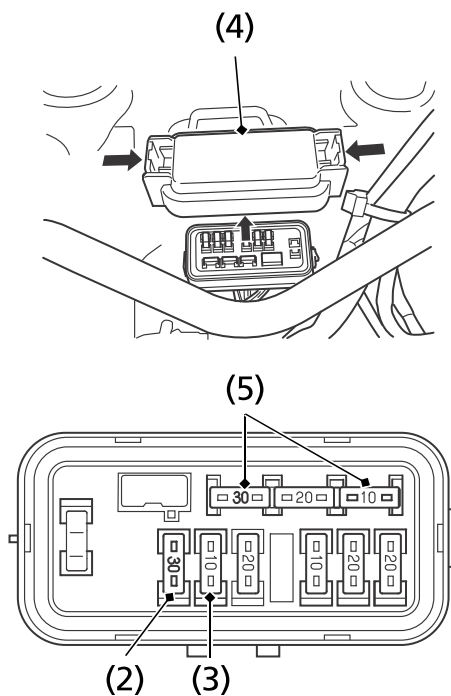


## If a Fuse Blows

### Main Fuses Access

1. To prevent an accidental short circuit, turn the ignition switch to OFF (O) before checking or replacing the fuses.
2. Remove the seat (page 124).
3. Remove the rear fender cover (page 127).
4. To access the main fuses (2) (3), remove the fuse box cover (4).

### UNDER REAR FENDER COVER



(2) main fuse 1  
(3) main fuse 2

(4) fuse box cover  
(5) spare fuses

5. Pull the main fuse out.  
If it is blown, install the spare fuses (5).

(cont'd)

Taking Care of the Unexpected 225