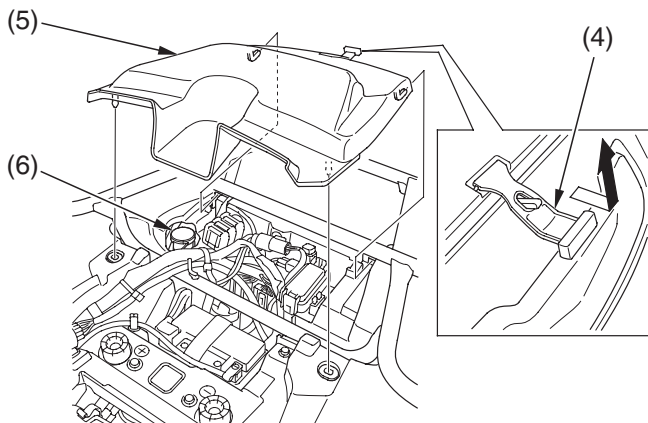




## Coolant

3. Remove the seat (page 106).
4. Unhook the rubber strap (4).
5. Remove the rear fender cover (5) and reserve tank cap (6).  
Always add coolant to the reserve tank. Do not attempt to add coolant by removing the radiator cap.
6. Add coolant to the reserve tank as required to bring the coolant level to the UPPER level mark.

### REAR



- (4) rubber strap                      (6) reserve tank cap  
(5) rear fender cover

7. After adding coolant, install the reserve tank cap and rear fender cover.
8. Fasten the rubber strap.
9. Install the seat.

