

FUSE

As illustrated in Fig. 4-20, the main fuse (1) and the sub fuse (2) are located in the battery compartment.

The specified main fuse is:

30 A

The specified sub fuses are:

15 A \times 2, 10 A \times 2

If a fuse fails frequently, it usually indicates a short circuit or an overload in the electrical system. See your authorized Honda dealer for repair.

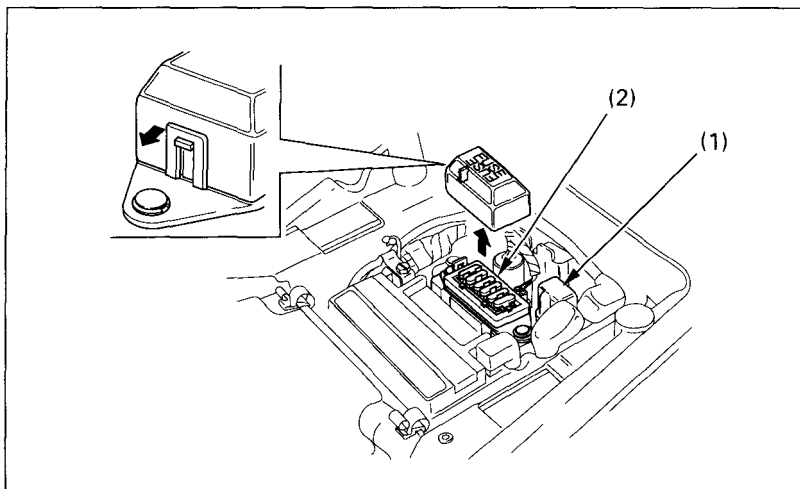


Fig. 4-20 (1) Main fuse

(2) Sub fuses

To replace the main fuse:

1. Make sure the ignition switch is OFF (\bigcirc).

CAUTION:

Turn the ignition switch OFF (\bigcirc) before checking or replacing the fuse to prevent accidental short-circuiting which could damage the electrical system.