

DRIVE CHAIN

The drive chain (1) will wear with use and requires periodic adjustment in accordance with the maintenance schedule.

NOTE:

Check, adjust or lubricate the chain with the engine off.

Chain slack should be checked by measuring the amount of chain slack midway between the sprockets. The amount of slack should be:

1 3/16 – 1 9/16 in (30 – 40 mm)

To adjust slack, use an Allen wrench (4) to loosen the rear axle holder lock bolts (2), (Fig. 4-15). Turn the adjuster (3) to decrease or increase chain slack. Retighten the rear axle holder fixing bolts.

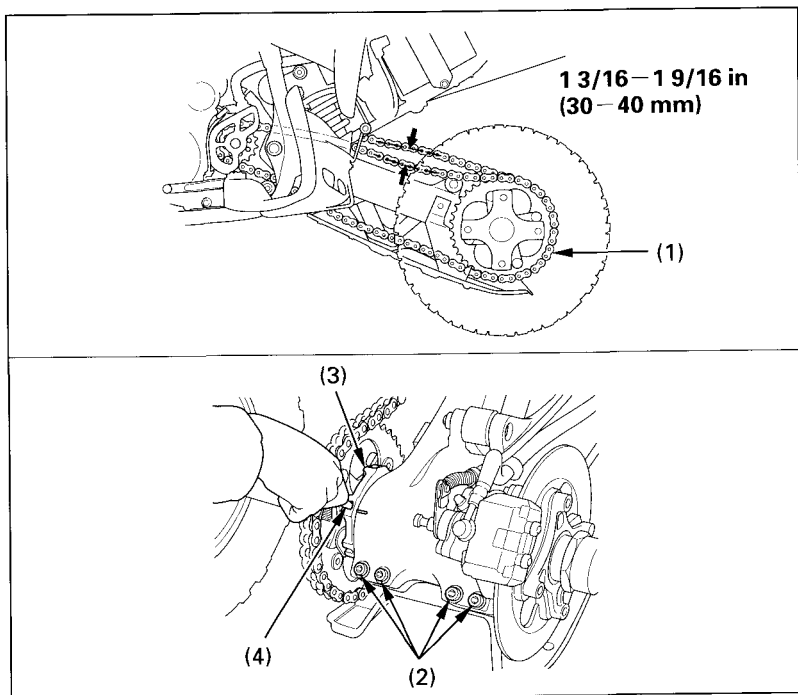


Fig. 4-15

(1) Drive chain
(2) Lock bolts

(3) Adjuster
(4) Allen wrench