

Indicators

Reverse and Neutral Indicators

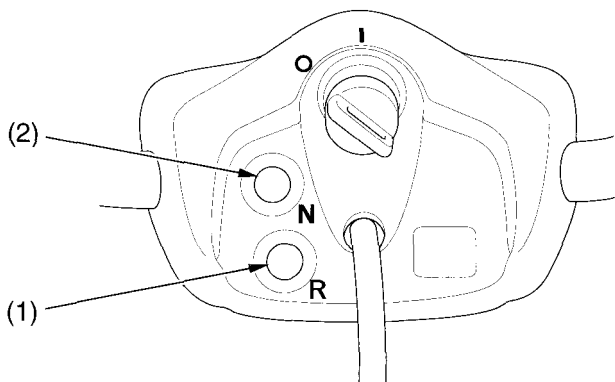
The reverse indicator (1) and the neutral indicator (2) are located on the handle cover.

The reverse indicator will light when the transmission is in reverse and the ignition switch is ON (I).

The neutral indicator will light when the transmission is in neutral and the ignition switch is ON (I).

If one of these indicators does not come on when it should, have your Honda dealer check for burned-out bulbs or other problems.

CENTER OF HANDLEBAR



- (1) reverse indicator
- (2) neutral indicator