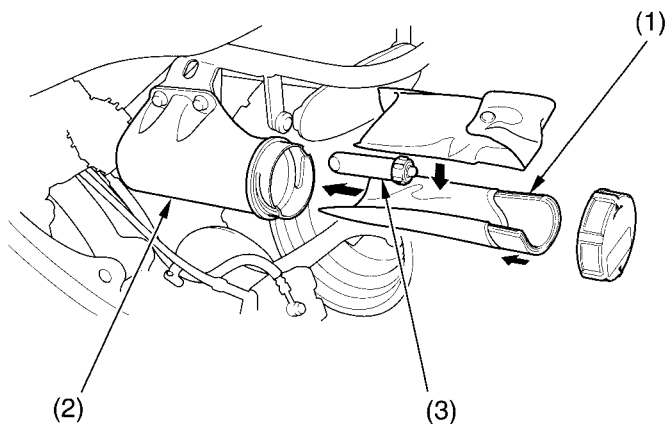


Owner's Manual Storage

Your ATV provides storage for the owner's manual so you'll have it with you for easy reference. Store your owner's manual (1) in the storage compartment (2) below the rear fender.

The owner's manual and air pressure gauge (3) should be stored in the storage compartment.

Be careful not to flood this area when washing your ATV or through water.



- (1) owner's manual
- (3) air pressure gauge

- (2) storage compartment