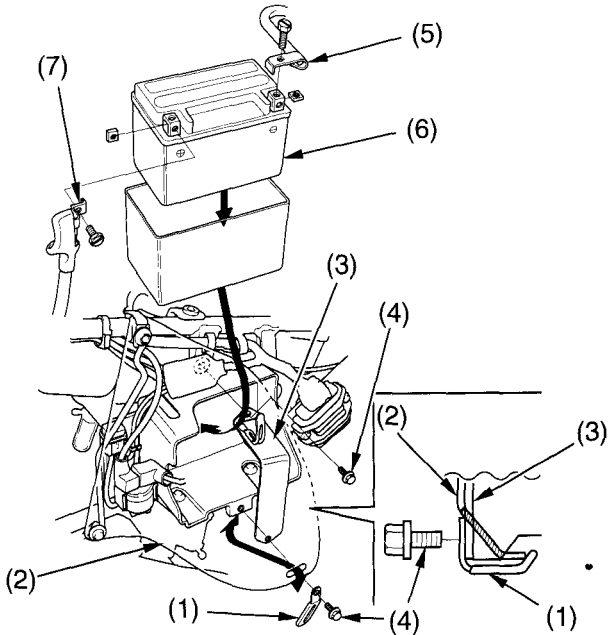


Battery

The battery is located in a compartment under the rear fender.



(1) clip

(2) battery cover

(3) battery holder

(4) mount bolt

(5) negative (-) terminal lead

(6) battery

(7) positive (+) terminal lead

1. Make sure the ignition switch is OFF (\circ).
2. Remove the seat (page 82).
3. Remove the clip (1), battery cover (2) and holder (3).
4. Disconnect the negative (-) terminal lead (5) from the battery (6) first, then disconnect the positive (+) terminal lead (7).
5. Remove the battery.

(cont'd)