

### Throttle Lever

The throttle lever (Fig. 2-8 ) is next to the right handgrip, and it is operated by the thumb. Pressing the lever opens the throttle. When pressure is released, spring tension automatically closes the throttle.

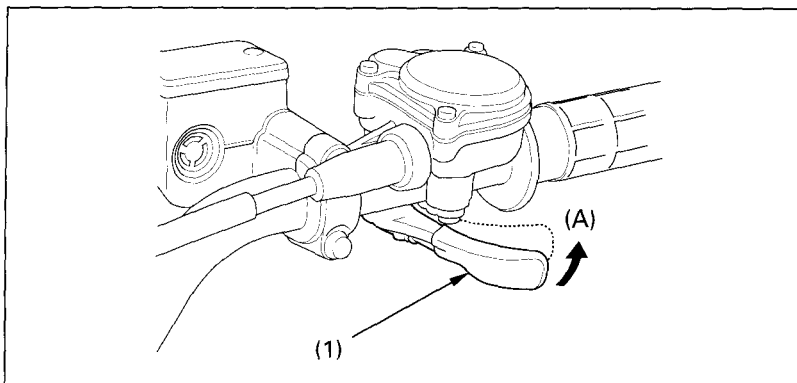


Fig. 2-8

(1) Throttle lever  
(A) To open the throttle

### Rear Brake

The rear brake pedal ( 1 ) is near the right footpeg.

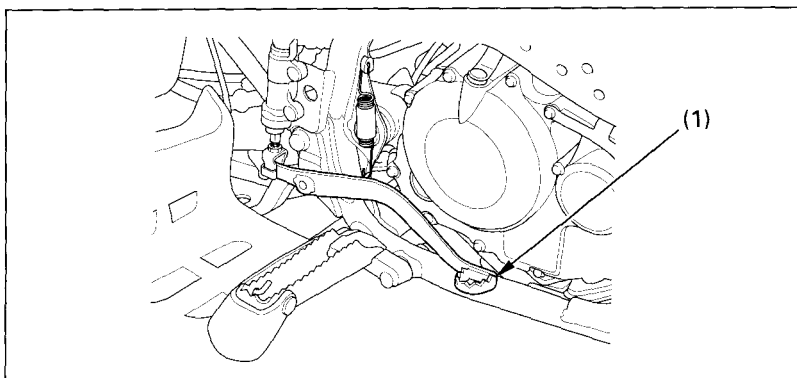


Fig. 2-9

(1) Rear brake pedal