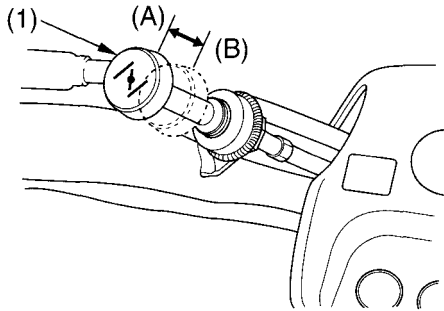


# Controls & Features

## Choke Knob



### LEFT HANDLEBAR



(1) choke knob

(A) fully ON

(B) fully OFF

The choke knob may be used when starting the engine. See page 59 .