

3. Remove the screws (1) (Fig. 4-5) and remove the air cleaner assembly (2) from the air cleaner housing.
4. Unscrew the clamp (3).
5. Remove the air cleaner (4) from the air cleaner body (5).

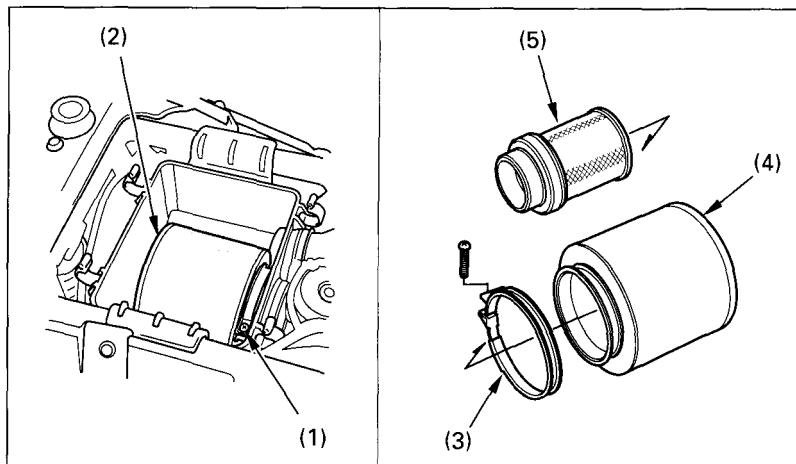


Fig. 4-5 (1) Screw  
(2) Air cleaner assembly

(3) Clamp  
(4) Air cleaner  
(5) Air cleaner body

6. Gently wash the air cleaner in clean, non-flammable (high flash point) solvent such as kerosene – not gasoline. Allow the air cleaner to dry thoroughly before applying oil. A wet air cleaner will not fully absorb the oil.

## ⚠ WARNING

### POTENTIAL HAZARD

**Using gasoline or low flash point solvents for cleaning ATV parts.**

### WHAT CAN HAPPEN

**A fire or explosion could result.**

### HOW TO AVOID THE HAZARD

**Use only a nonflammable or high flash point solvent to clean ATV parts.**