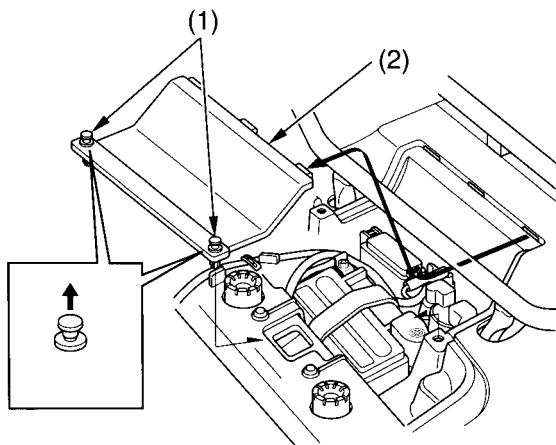


Battery

The battery is located in a compartment under the seat.

UNDER SEAT



(1) clips

(2) rear fender lid

1. Make sure the ignition switch is OFF (\bigcirc).
2. Remove the seat (page 101).
3. Pull up on the two clips (1) and remove the rear fender lid (2) by sliding it forward.