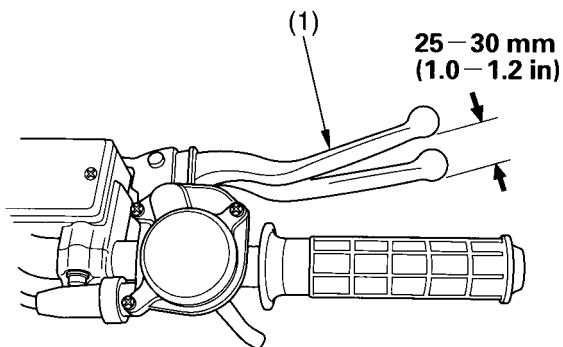


Front Brake Lever Freeplay & Shoe Lining Clearance

RIGHT HANDLEBAR



(1) front brake lever

1. Measure the distance the brake lever moves before the brakes start to take hold. Freeplay, measured at the tip of the front brake lever (1) should be:

25–30 mm (1.0–1.2 in)

(cont'd)