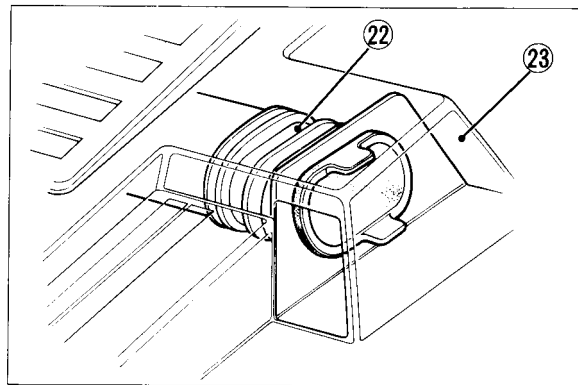


14. After adjustment, tighten the lock nut while holding the adjusting screw to prevent it from turning.
15. Recheck the clearance to make sure that it has not changed.
16. Reinstall the removed parts.

NOTE:

- * Tighten the upper engine mount bolts to the specified torque.
 - 10 mm bolt: 70–80 N·m (7.0–8.0 kg·m,
51–58 ft·lb)
 - 8 mm bolt: 34–40 N·m (3.4–4.0 kg·m,
25–29 ft·lb)
- * Install the air cleaner inlet duct (22) on the front fender (23) securely.



(22) Inlet duct

(23) Front fender