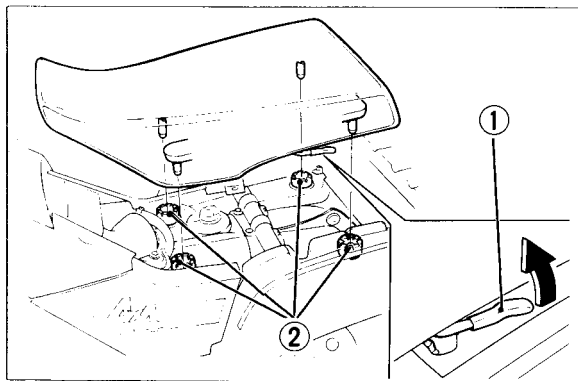


## Seat Removal

1. Release the seat lock by moving the seat lock lever (1) at the left side of the seat toward the rear.
2. Remove the seat by lifting it upward.

## Installation

1. Insert the four seat studs (2) into the holes of the grommets on the frame.
2. Press down on the seat until the seat latch engages.



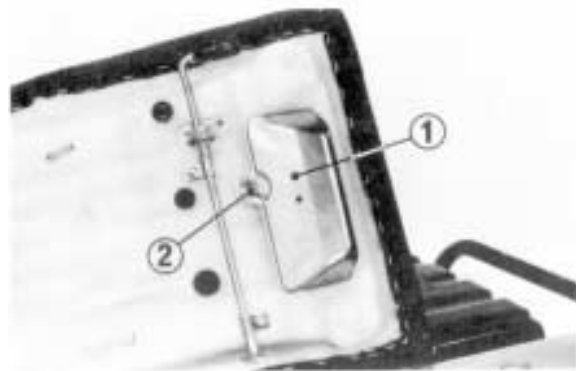
(1) Seat lock lever      (2) Seat studs

## Tool compartment

The tool compartment is under the seat. To take out the tool set, remove the seat and the tool holder (1) by unscrewing the wing bolt (2).

### NOTE:

\* The air pressure gauge should be stored in this compartment with tool set.



(1) Tool holder      (2) Wing bolt