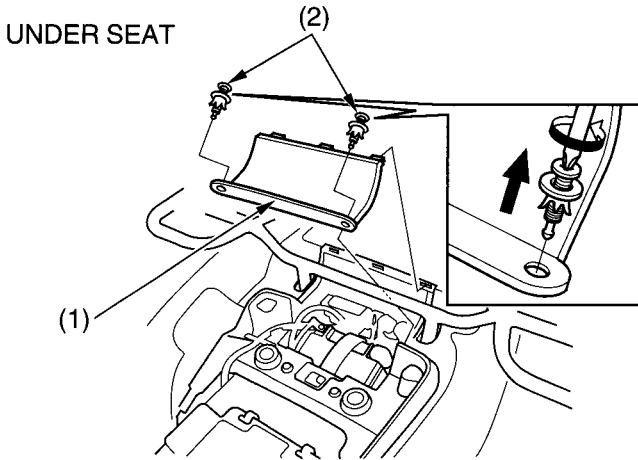


# Battery

The battery is located in a compartment under the seat.



(1) rear fender lid

(2) clips

1. Make sure the ignition switch is OFF (  $\bigcirc$  ).
2. Remove the seat (page 96).
3. Remove the rear fender lid (1) by removing the clips (2).